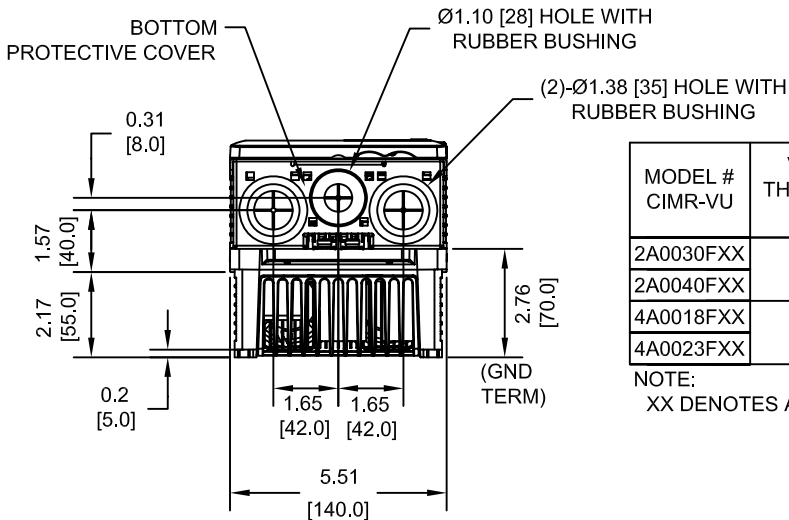
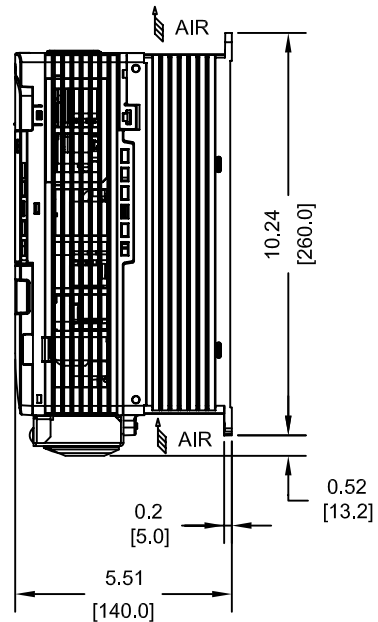
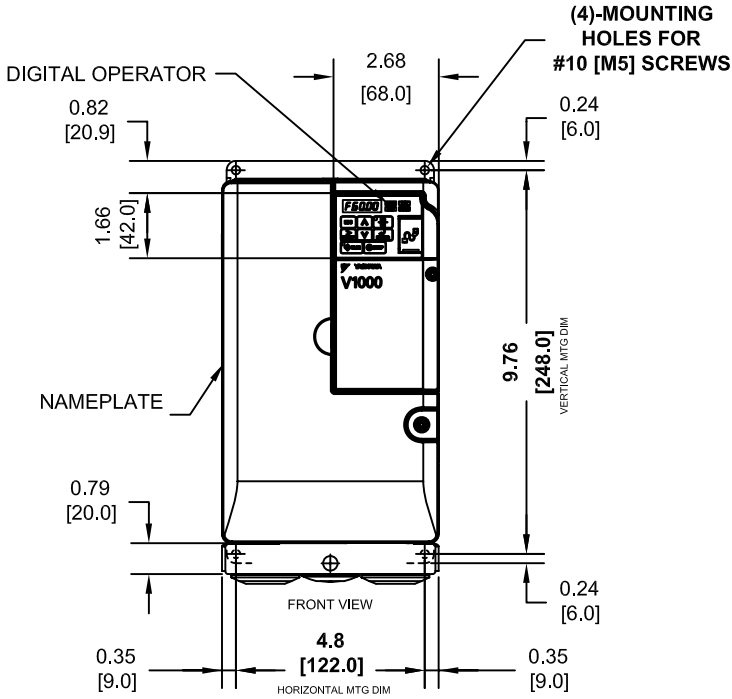
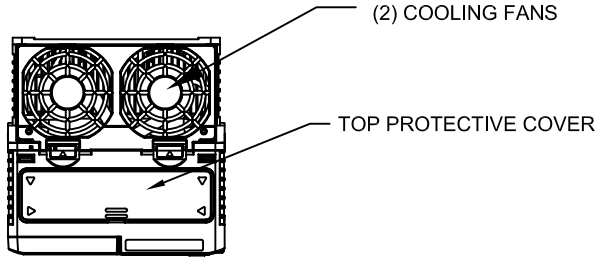


**NOTE:**

PROTECTIVE COVERS ARE FACTORY INSTALLED TO THE TOP AND BOTTOM OF THE DRIVE TO MEET IP20 & NEMA TYPE 1 REQUIREMENTS, RESULTING IN AN AMBIENT TEMPERATURE RATING OF 104F(40C). REMOVE THESE COVERS WHEN OPERATING THE DRIVE WITHIN A PANEL TO OBTAIN THE MAXIMUM SURROUNDING AIR TEMPERATURE RATING OF 122F(50C). REMOVING THESE COVERS RESULTS IN AN ENCLOSURE RATING OF IP00.



MODEL # CIMR-VU	VOLTAGE THREE PHASE (VAC)	OUTPUT CURRENT (A)		WEIGHT LBS (Kg)	HEAT LOSS (W)					
		ND	HD		ND (Fc=2kHz)			HD (Fc=8kHz)		
					INT	EXT	TOT	INT	EXT	TOT
2A0030FXX	208/240	30.0	25.0	8.4 (3.8)	88.9	246.4	335.3	72.2	231.5	303.7
2A0040FXX		40.0	33.0	8.4 (3.8)	112.8	266.7	379.5	82.8	248.5	321.3
4A0018FXX	380/480	17.5	14.8	8.4 (3.8)	80.1	181.2	261.3	62.7	166.0	228.7
4A0023FXX		23.0	18.0	8.4 (3.8)	107.7	213.4	321.1	78.1	207.1	285.2

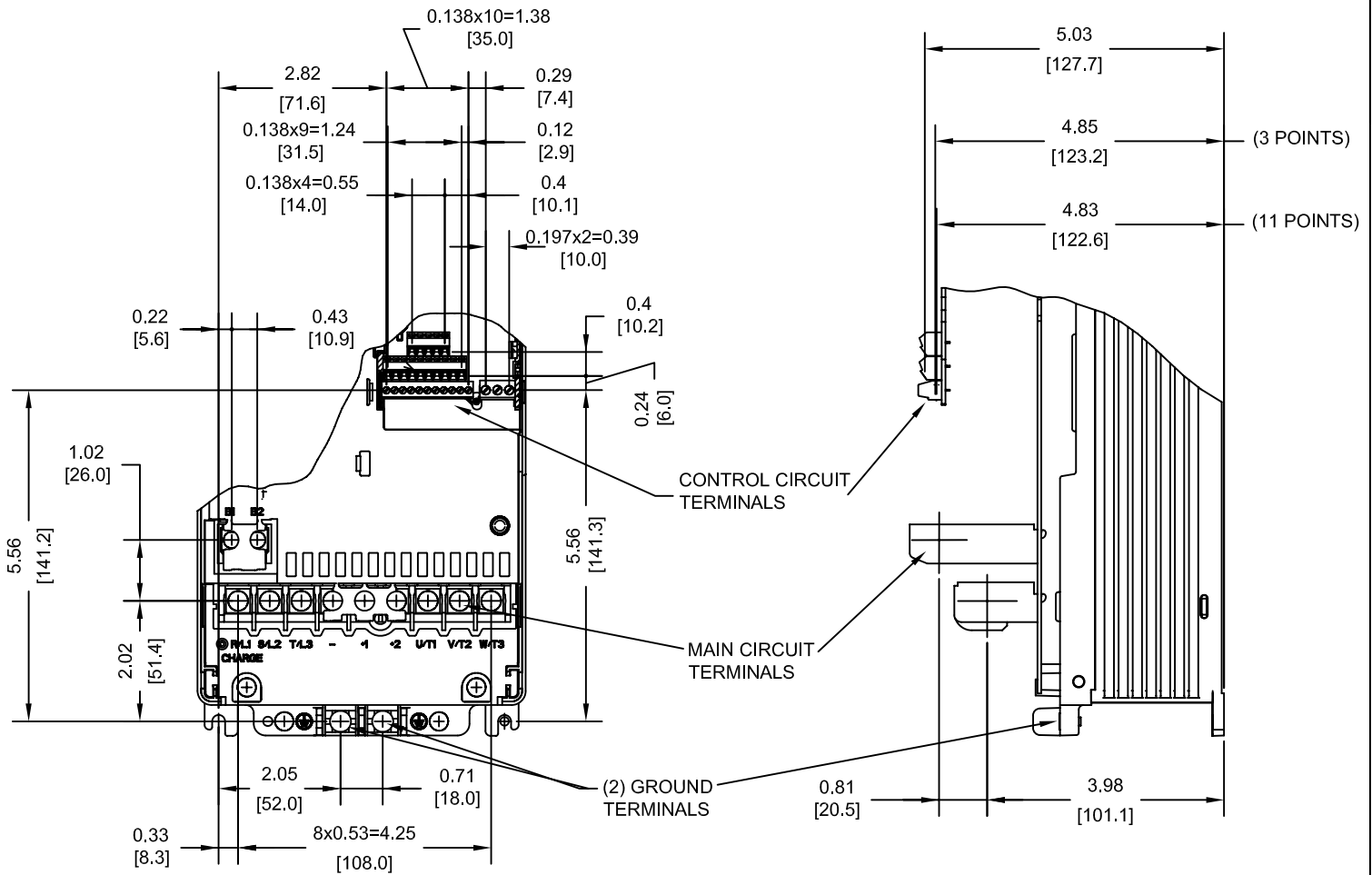
NOTE:  
XX DENOTES AA-ZZ

INT=INTERNAL COMPONENTS  
EXT=EXTERNAL HEATSINK  
TOT=TOTAL

FOR ADDITIONAL DETAILS AND SPECIFICATIONS, CONSULT MANUAL

TOLERANCES / REFERENCES:		<p><b>YASKAWA</b> The Drive for Quality™</p> <p>THIS DOCUMENT AND INFORMATION CONTAINED IN IT ARE CONFIDENTIAL, AND CANNOT BE COPIED OR DISCLOSED IN WHOLE OR IN PART WITHOUT THE EXPRESS WRITTEN CONSENT OF YASKAWA ELECTRIC AMERICA INC.</p>	DRAWN: J. MATTAS DATE 1-24-08	TITLE: V1000 DIMENSION DRAWING FRAME SIZE 14 NEMA TYPE 1 ENCLOSURE 2A0030F, 2A0040F, 4A0018F, 4A0023F
UNITS: IN[mm]	SCALE: 1:5		CHECKED: M. RUCINSKI DATE 5-7-08	DATE 5-27-08
		APPROVED: T. SASADA DATE 5-27-08	ORIGINAL DESIGN: - DATE -	DRAWING #: <b>DD.V1K.FR14.N1</b>
			SIZE A	REVISION R00
				PAGE 1 of 3

TERMINAL AND WIRING DETAILS (SCALE 1:3)



TERMINAL AND WIRE SPECIFICATIONS FOR MAIN CIRCUIT AND GROUND

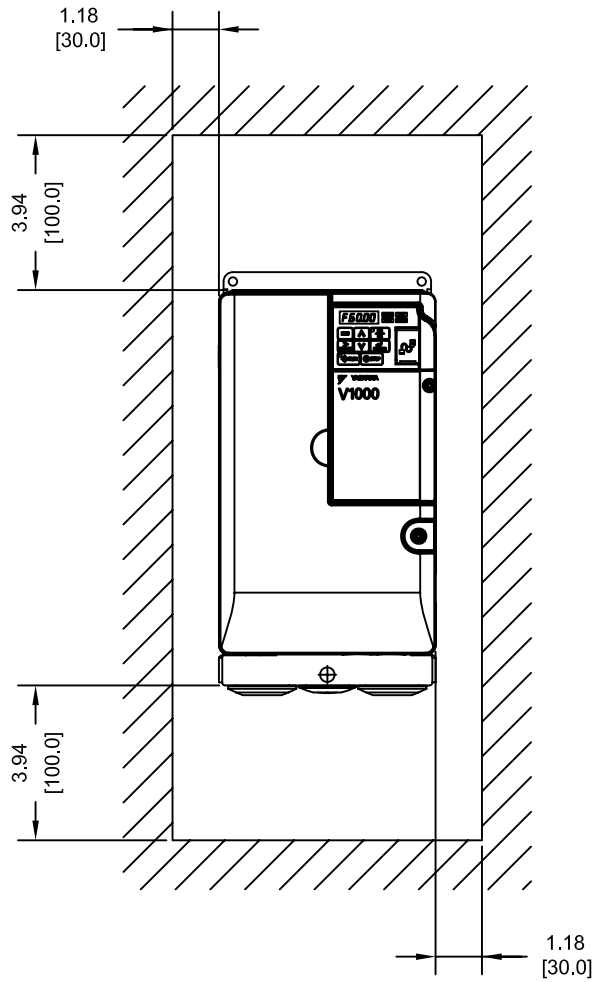
MODEL # CIMR-VU	TERMINAL SYMBOL	TERMINAL SCREW	CLAMPING TORQUE lb.in.(N.m.)	WIRE RANGE AWG(mm)
2A0030F	R/L1, S/L2, T/L3, ⊖, ⊕1, ⊕2, U/T1, V/T2, W/T3	M4	20.4 (2.3)	12-6 (3.5-14)
	B1, B2	M4	20.4 (2.3)	12-10 (3.5-5.5)
	⊕	M5	17.7-22.1 (2.0-2.5)	10-6 (5.5-14)
2A0040F	R/L1, S/L2, T/L3, ⊖, ⊕1, ⊕2, U/T1, V/T2, W/T3	M4	20.4 (2.3)	12-6 (3.5-14)
	B1, B2	M4	20.4 (2.3)	12-10 (3.5-5.5)
	⊕	M5	17.7-22.1 (2.0-2.5)	10-6 (5.5-14)
4A0018F	R/L1, S/L2, T/L3, ⊖, ⊕1, ⊕2, U/T1, V/T2, W/T3	M4	20.4 (2.3)	12-6 (3.5-14)
	B1, B2	M4	20.4 (2.3)	12-10 (3.5-5.5)
	⊕	M5	17.7-22.1 (2.0-2.5)	10-6 (5.5-14)
4A0023F	R/L1, S/L2, T/L3, ⊖, ⊕1, ⊕2, U/T1, V/T2, W/T3	M4	20.4 (2.3)	12-6 (3.5-14)
	B1, B2	M4	20.4 (2.3)	12-10 (3.5-5.5)
	⊕	M5	17.7-22.1 (2.0-2.5)	10-6 (5.5-14)

NOTE: RATINGS APPLY TO BOTH FACTORY AND FIELD WIRING  
REFER TO APPLICABLE CODES FOR PROPER WIRE TYPE AND SIZE

FOR ADDITIONAL DETAILS AND SPECIFICATIONS, CONSULT MANUAL

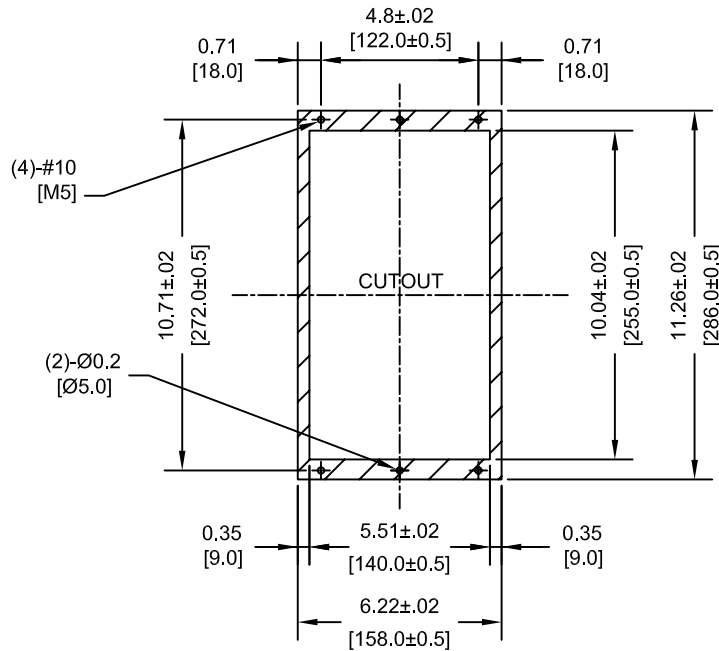
TOLERANCES / REFERENCES:		<p>THIS DOCUMENT AND INFORMATION CONTAINED IN IT ARE CONFIDENTIAL, AND CANNOT BE COPIED OR DISCLOSED IN WHOLE OR IN PART WITHOUT THE EXPRESS WRITTEN CONSENT OF YASKAWA ELECTRIC AMERICA INC.</p>	DRAWN: J. MATTAS CHECKED: M. RUCINSKI TECH: J. CAIRO APPROVED: T. SASADA ORIGINAL DESIGN: -	DATE: 1-24-08 DATE: 5-7-08 DATE: 3-25-08 DATE: 5-27-08 DATE: -	TITLE: V1000 DIMENSION DRAWING FRAME SIZE 14 NEMA TYPE 1 ENCLOSURE 2A0030F, 2A0040F, 4A0018F, 4A0023F SIZE: A      REVISION: R00      PAGE: 2 of 3 DRAWING #: <b>DD.V1K.FR14.N1</b>
UNITS: IN[mm]	SCALE: BY VIEW				

MINIMUM INSTALLATION CLEARANCES (SCALE 1:5)



NOTE:  
FOR SIDE-BY-SIDE MOUNTING  
CONSULT MANUAL

PANEL CUTOUT FOR EXTERNAL HEATSINK  
MOUNTING CONFIGURATION (SCALE 1:6)



NOTES:  
1. EXTERNAL HEATSINK  
CONFIGURATION REQUIRES  
MOUNTING KIT  
2. EXPOSED HEATSINK  
RECOMMENDED CLEARANCE  
D=2.36" MINUS PANEL THICKNESS

TOLERANCES / REFERENCES:		<p><b>YASKAWA</b> The Drive for Quality™</p> <p>THIS DOCUMENT AND INFORMATION CONTAINED IN IT ARE CONFIDENTIAL, AND CANNOT BE COPIED OR DISCLOSED IN WHOLE OR IN PART WITHOUT THE EXPRESS WRITTEN CONSENT OF YASKAWA ELECTRIC AMERICA INC.</p>	DRAWN: J. MATTAS	DATE: 1-24-08	TITLE: V1000 DIMENSION DRAWING FRAME SIZE 14 NEMA TYPE 1 ENCLOSURE 2A0030F, 2A0040F, 4A0018F, 4A0023F	
UNITS: IN[mm]	SCALE: BY VIEW		CHECKED: M. RUCINSKI	DATE: 5-7-08		SIZE A
			TECH: J. CAIRO	DATE: 3-25-08	DRAWING #: <b>DD.V1K.FR14.N1</b>	
			APPROVED: T. SASADA	DATE: 5-27-08		
			ORIGINAL DESIGN: -	DATE: -		